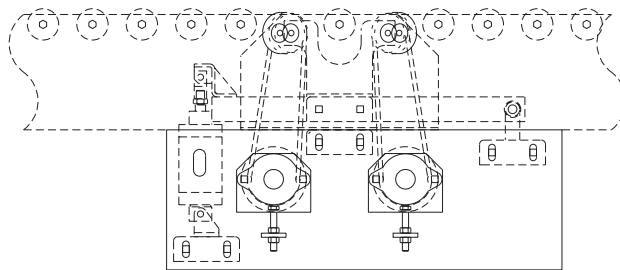
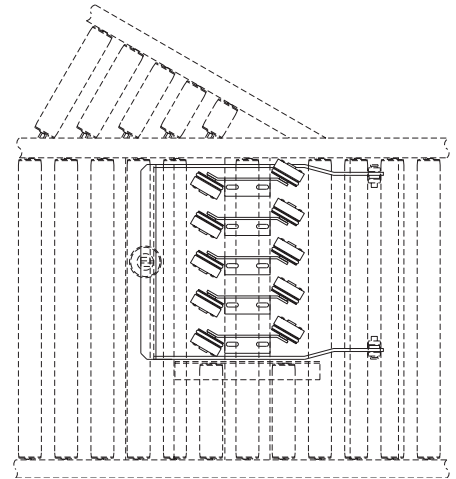


MODEL SD60 SKEWED WHEEL DIVERTER



Shown mounted in optional conveyor



SPECIFICATIONS

BELTS: 1/4" dia. round polyurethane.

DRIVE WHEELS: 2-1/2" O.D. x 3/4" face polyurethane, quantity as required, driven by 1/4" dia. polyurethane belts.

DRIVE SHAFT: 1-3/16" dia.

AIR CYLINDER: Double action.

AIR CONTROLS: Single solenoid valve. (60-80) PSI required

FRAME ASSEMBLY: Designed to mount into 196LR, 196CALR and 196LS line shaft driven conveyor.

DIVERSION ANGLE: 30°, 45° and 90°. Guard rails on take-away spur conveyor may be required at various angles.

RATE: Up to 60 sorts per minute.

BEARINGS: Heavy duty, lubricated, ball bearing units with cast iron housings.

SPEED: 60-180 FPM, constant. Other speeds available. Consult factory.

MOTOR DRIVE: 1/2 HP, 230/460/3, 60 cycle, ODP right angle gear motor.

CAPACITY: 50 lbs. per ft.; maximum unit load not to exceed 150 lbs.

OPTIONAL EQUIPMENT

SPEED: Unit speed may be increased from 120 to 250 FPM, constant speed (specify).

MOTORS: Available in TEFC, explosion proof, dirty duty, 115/230/1, 575/3, etc.

SLAVE DRIVEN: Driven by drive shaft on 196LS line shaft conveyor or by return direction of belt on belt driven live roller conveyor. Consult factory.

ELECTRICAL CONTROLS: Designed per application. Consult factory.



■ 4 week shipment